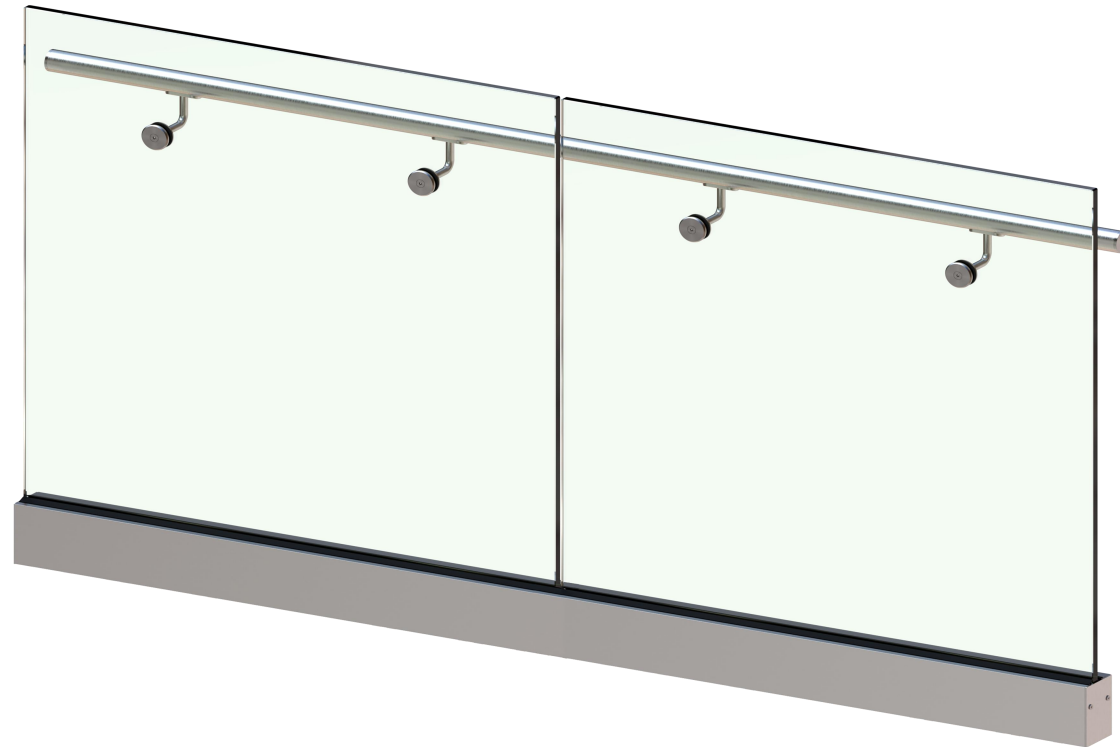


# FRAMELESS GLASS RAILING SYSTEM

## Aluminum Channel Railing

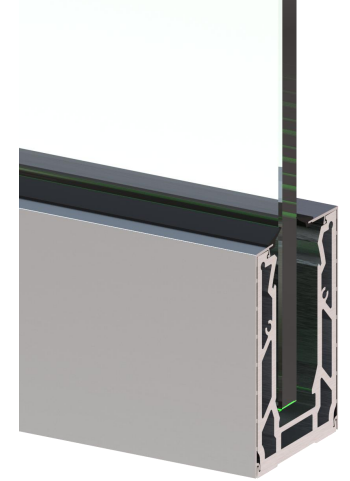
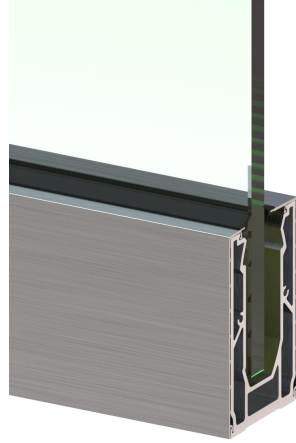
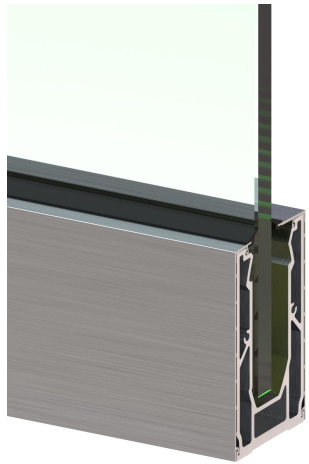
With a simple and fashionable design , aluminum channel railing consists of three parts: aluminum groove, glass panel, and handrail. The design of aluminum groove with different sizes meets the needs of different scenarios, making aluminum channel railings not only suitable for residential buildings, but also for commercial buildings.



## Railing specification

	METARIAL	FINISH	SIZE
<b>BASE</b>	Aluminum Groove with Stainless Steel Cover	<ul style="list-style-type: none"> <li>- Satin</li> <li>- Mirror</li> <li>- Powder Coated (Outdoor Standard)</li> <li>- Electroplating (PVD)</li> </ul>	<ul style="list-style-type: none"> <li>- YX-FG0353: 73*120 mm</li> <li>- YX-FG0350: 73*120 mm</li> <li>- YX-FG0237: 62*120 mm</li> <li>- YX-FG0269: 150*120 mm</li> <li>- YX-FG0366: 80*120 mm</li> </ul>
<b>INFILL</b>	Glass	<ul style="list-style-type: none"> <li>- Clear</li> <li>- Tinted</li> <li>- Frosted</li> </ul>	Glass Thickness 10-21.52 mm
<b>TOP RAIL / HANDRAIL</b>	Stainless Steel - SS 304 - SS 316	<ul style="list-style-type: none"> <li>- Satin</li> <li>- Mirror</li> <li>- Powder Coated (Outdoor Standard)</li> <li>- Electroplating (PVD)</li> </ul>	<ul style="list-style-type: none"> <li>- U-cap</li> <li>- Round Tube: <math>\varnothing</math> 42.4 / <math>\varnothing</math> 50.8mm</li> <li>- Square Tube: 25*50 / 40*40 / 50*50 mm</li> <li>- Round Slot: <math>\varnothing</math> 42.4 mm</li> <li>- Square Slot: 40*40 / 25*21 mm</li> </ul>
	Wooden - Beech - Sapele - Teak	<ul style="list-style-type: none"> <li>- Raw</li> <li>- Walnut Color</li> <li>- Rosewood Color</li> <li>Or Customized</li> </ul>	<ul style="list-style-type: none"> <li>- Round: <math>\varnothing</math> 42.4 / <math>\varnothing</math> 50.8 mm</li> <li>- Square Slot Handrail: 40*40 mm</li> <li>- Omega Shape: 40*80 mm</li> <li>Or Customized</li> </ul>

# Aluminum Channel Railing



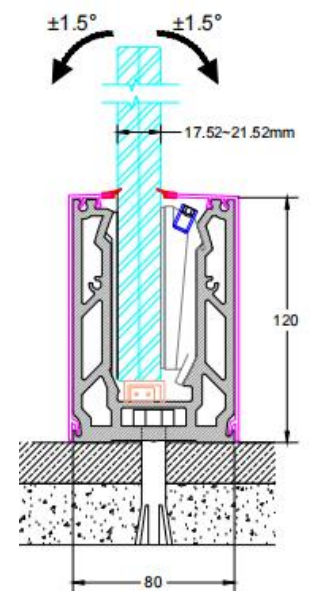
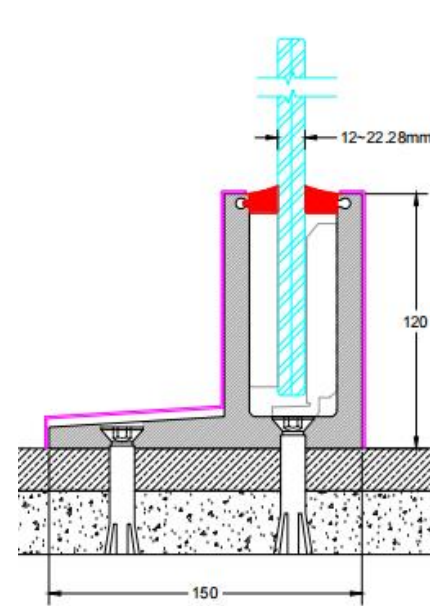
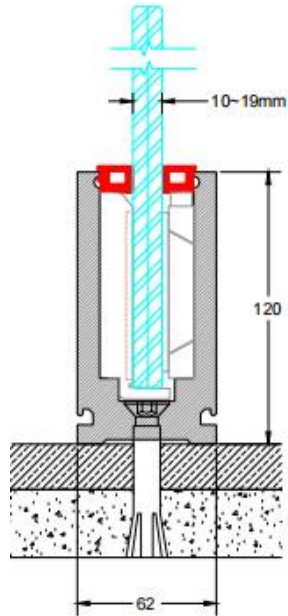
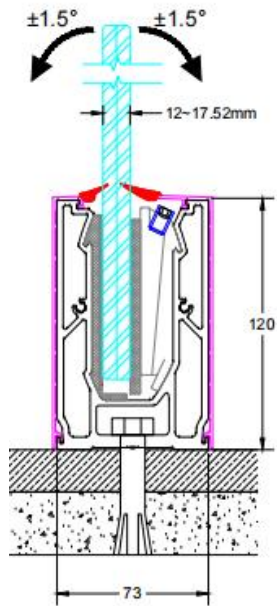
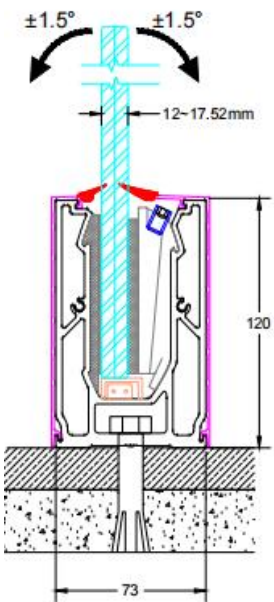
• YX-FG0353

• YX-FG0350

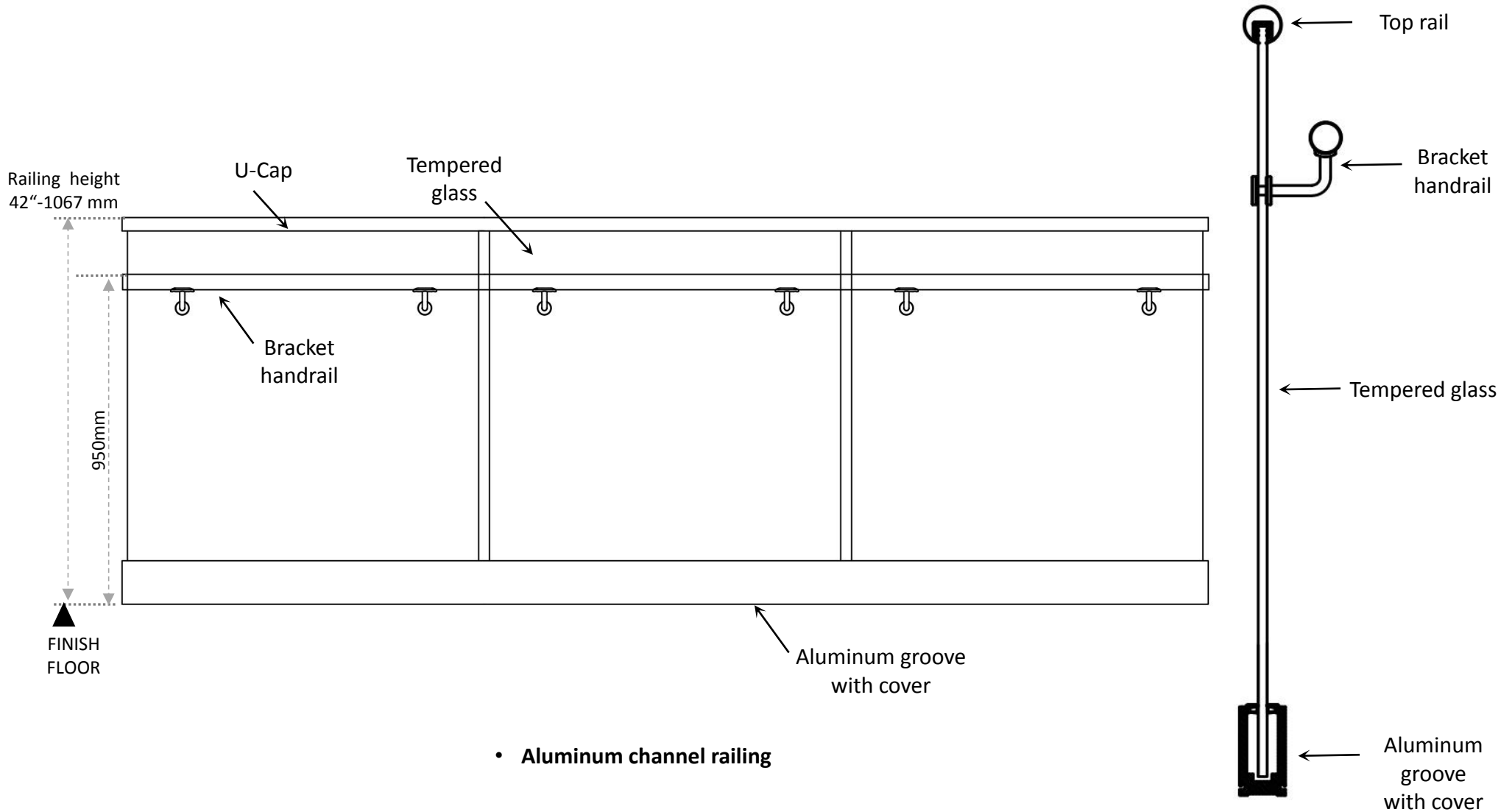
• YX-FG0237

• YX-FG0269

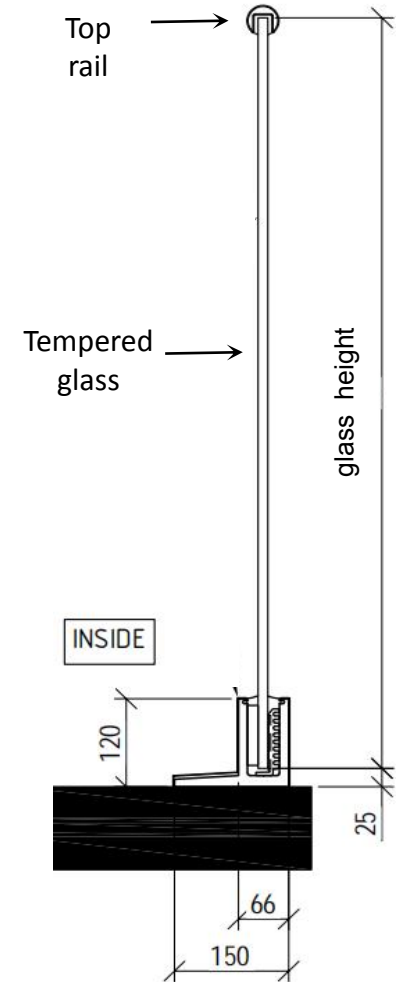
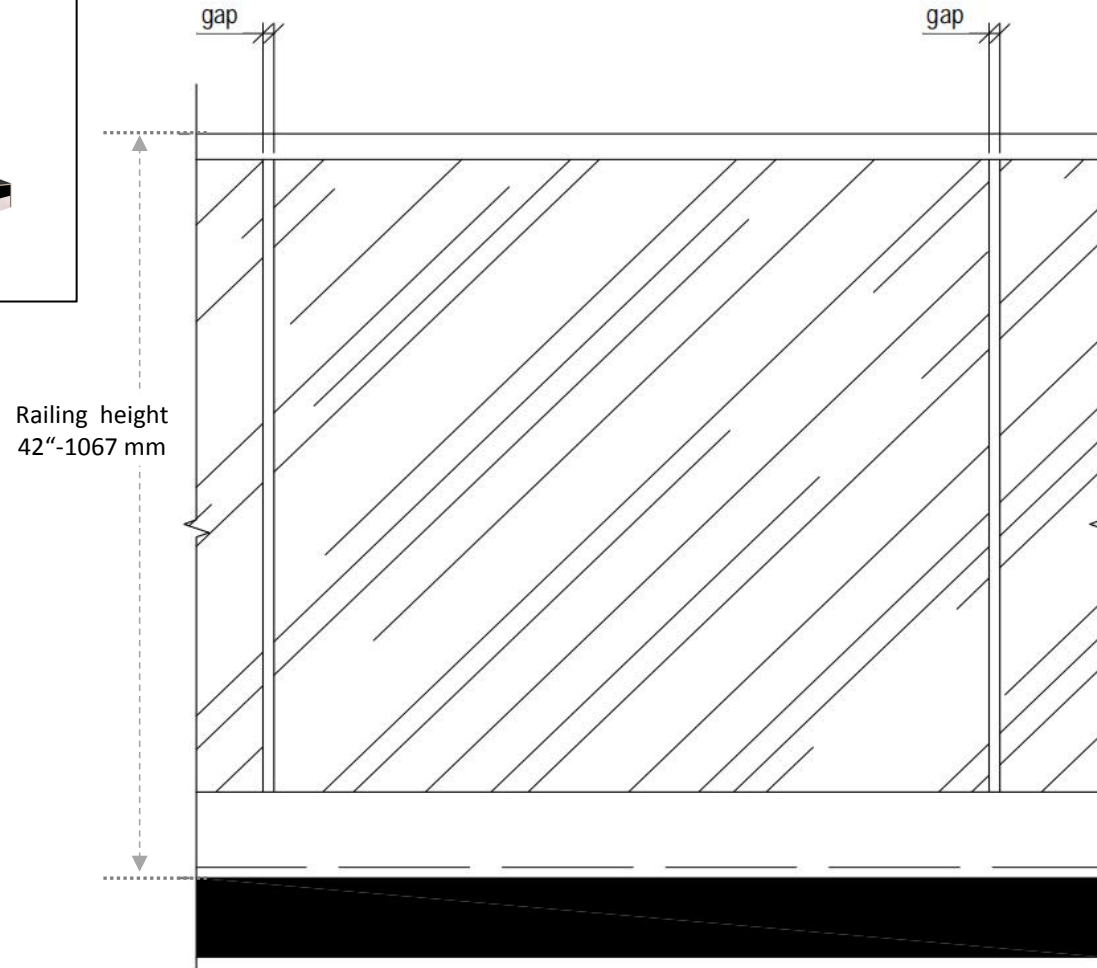
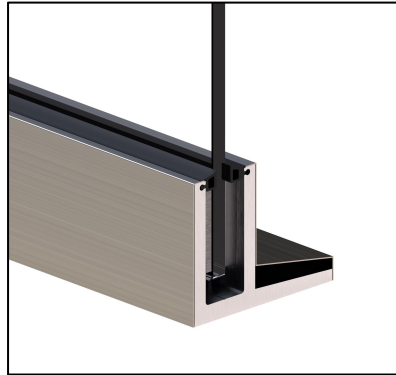
• YX-FG0366



## Railing structure

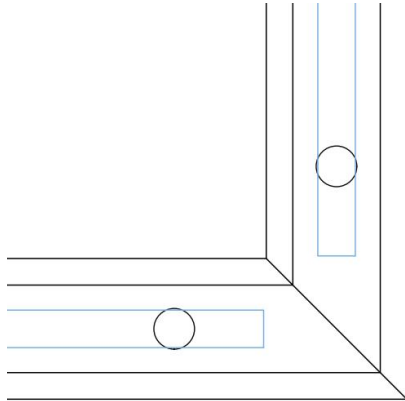


## YX-FG0269

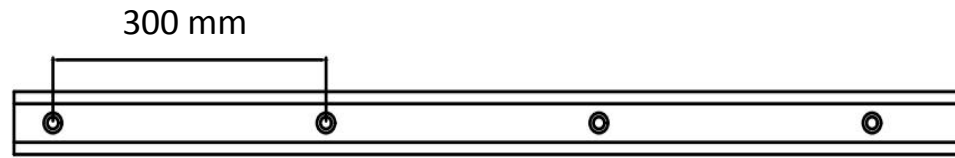


## Aluminum groove

- U Shape Installation

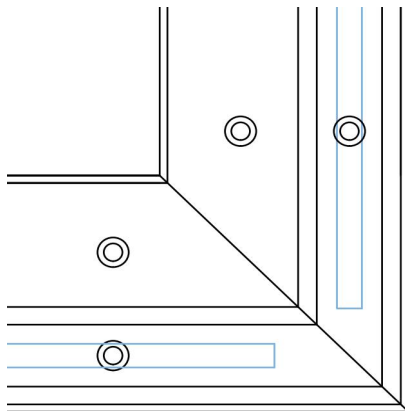


90° Angle

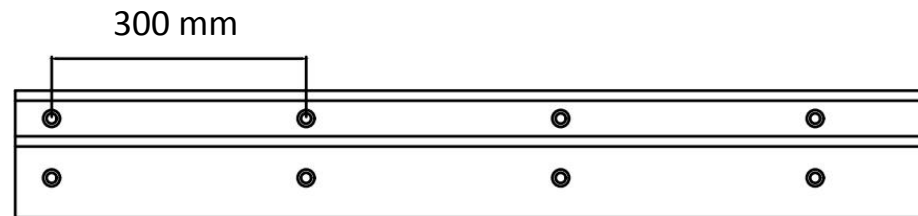


Straight

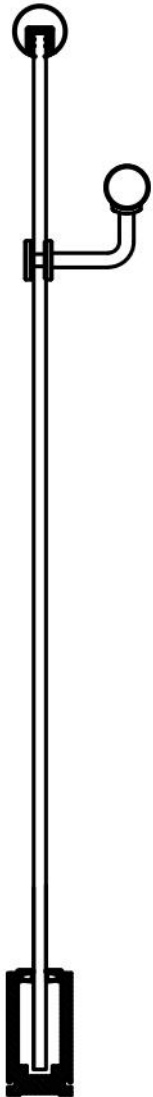
- F Shape Installation



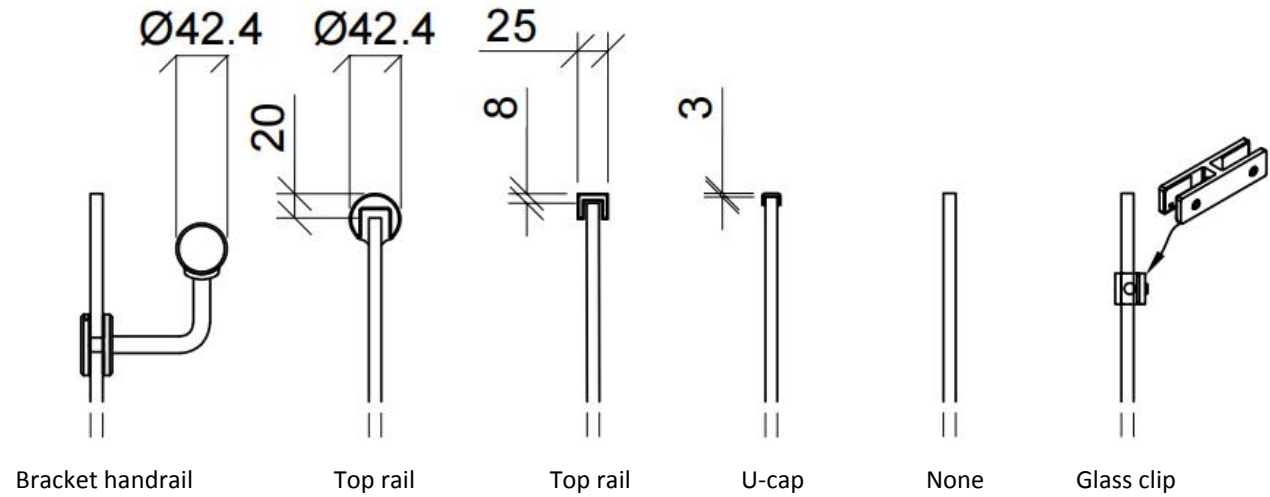
90° Angle



Straight



Handrail options:



Bracket handrail

Top rail

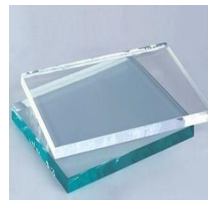
Top rail

U-cap

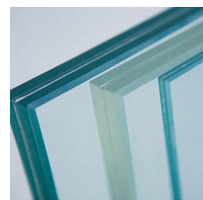
None

Glass clip

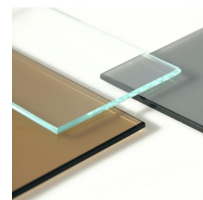
Available glass infill:



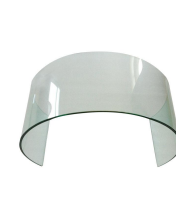
Clear monolithic



Clear laminated



Tinted

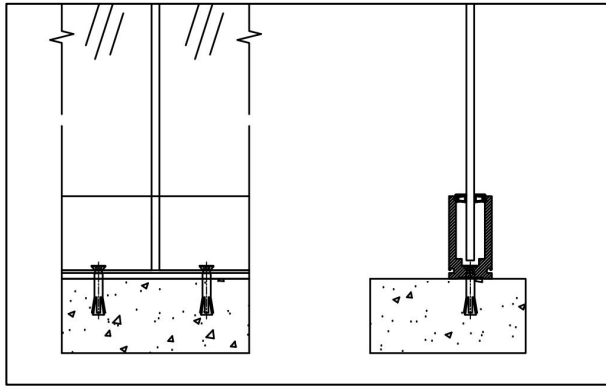


Bent

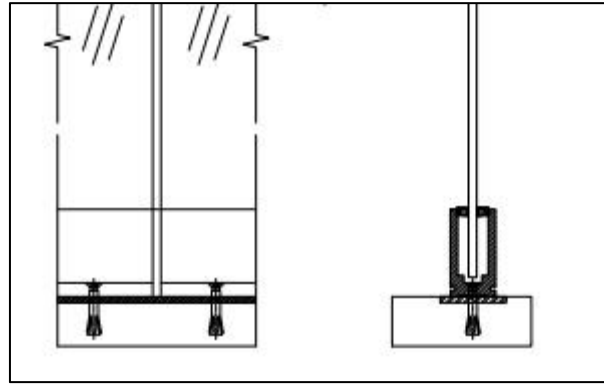


Frosted

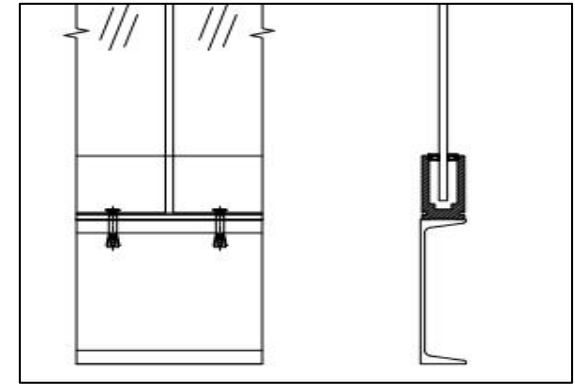
## Railing installation ---top mounting method



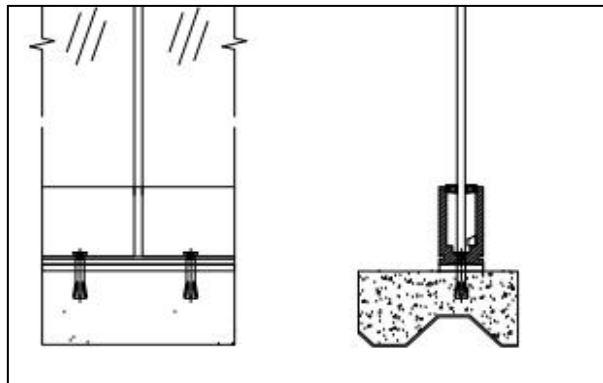
Anchored to concrete



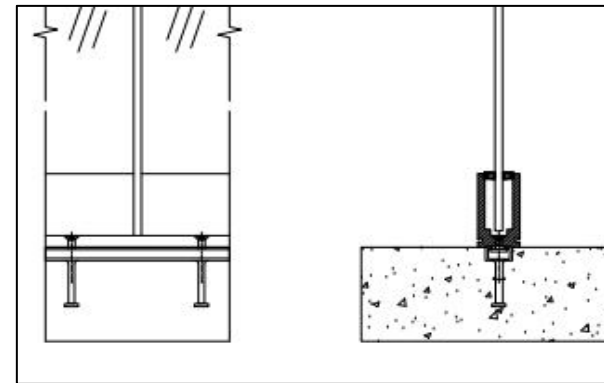
Welded at embed plate



Welded at steel channel



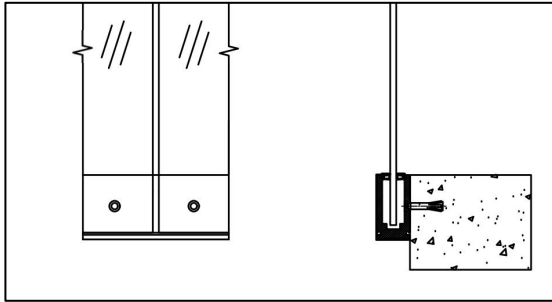
Anchored to concrete slab  
on deck



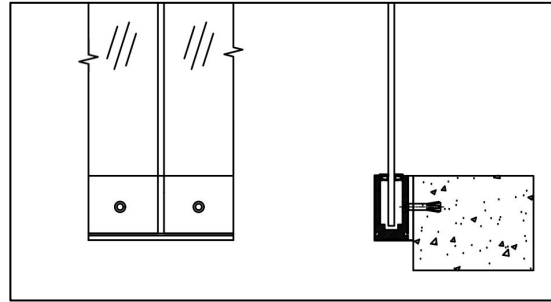
Anchored to Halfen-slot



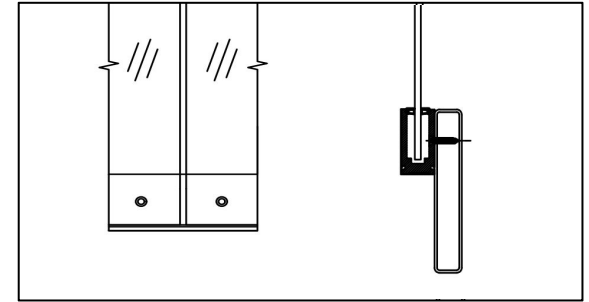
## Railing installation ---side mounting method



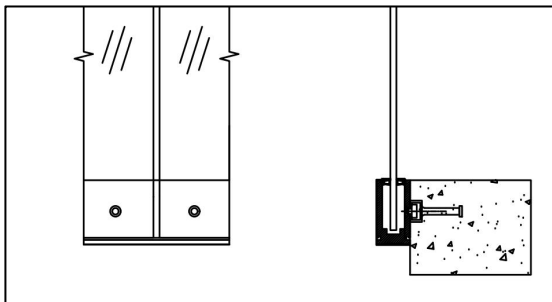
Anchored to concrete



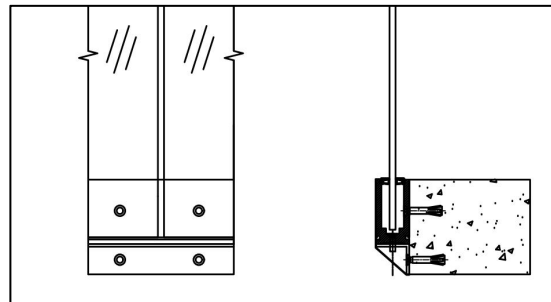
Welded at embed plate



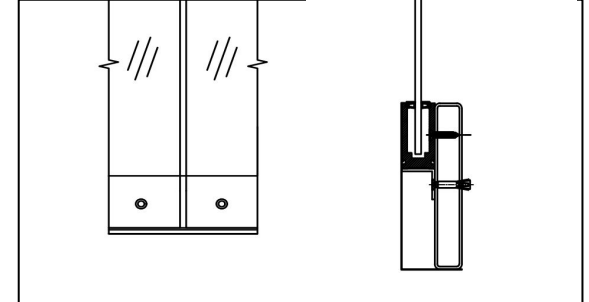
Welded at steel tube



Anchored to Halfen-slot



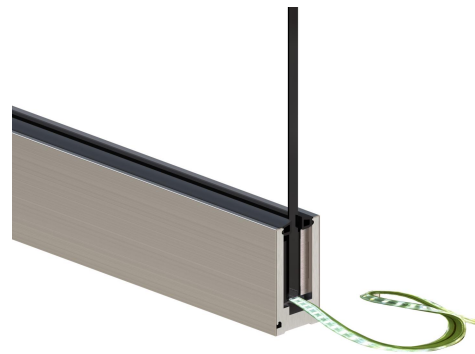
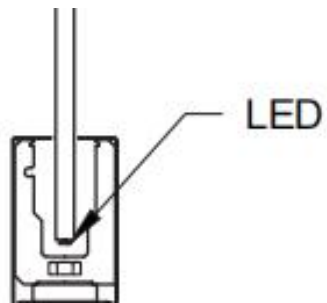
Welded at steel angle



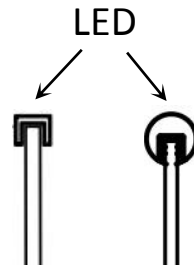
Welded at steel angle,  
Welded at steel tube

## Illuminated railing options

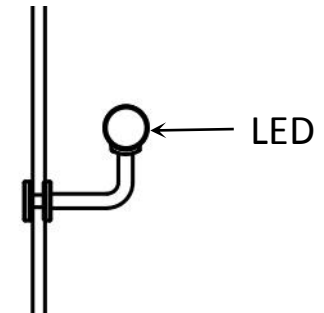
Opition1  
Illuminated aluminum groove



Opition 2  
Illuminated top rail



Opition 3  
Illuminated bracket handrail



## Finish options

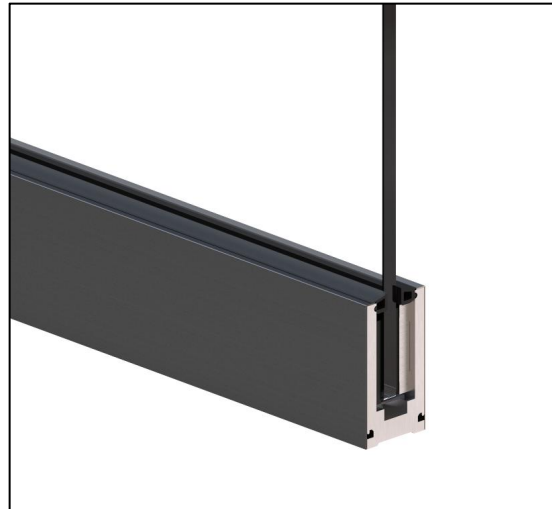


- **Stain**

Stain finish, also known as brushed finish, refers to a stainless steel surface that has been treated with a brushing process, creating a texture and sheen that resembles the natural grain of the metal.

- **Mirror**

For mirror finish, the surface of stainless steel presents a bright state, like a mirror.



- **Powder coated**

A hard, wear-resistant, and corrosion-resistant coating is formed on the surface of the railing, making the railing have good decorative and protective properties.



- **Electroplating (PVD)**

Electroplating finish uses electrochemical processes to form a thin metal coating on the surface of stainless steel, improving its surface properties such as corrosion resistance, wear resistance, and aesthetics.

# Aluminum Channel Railing



